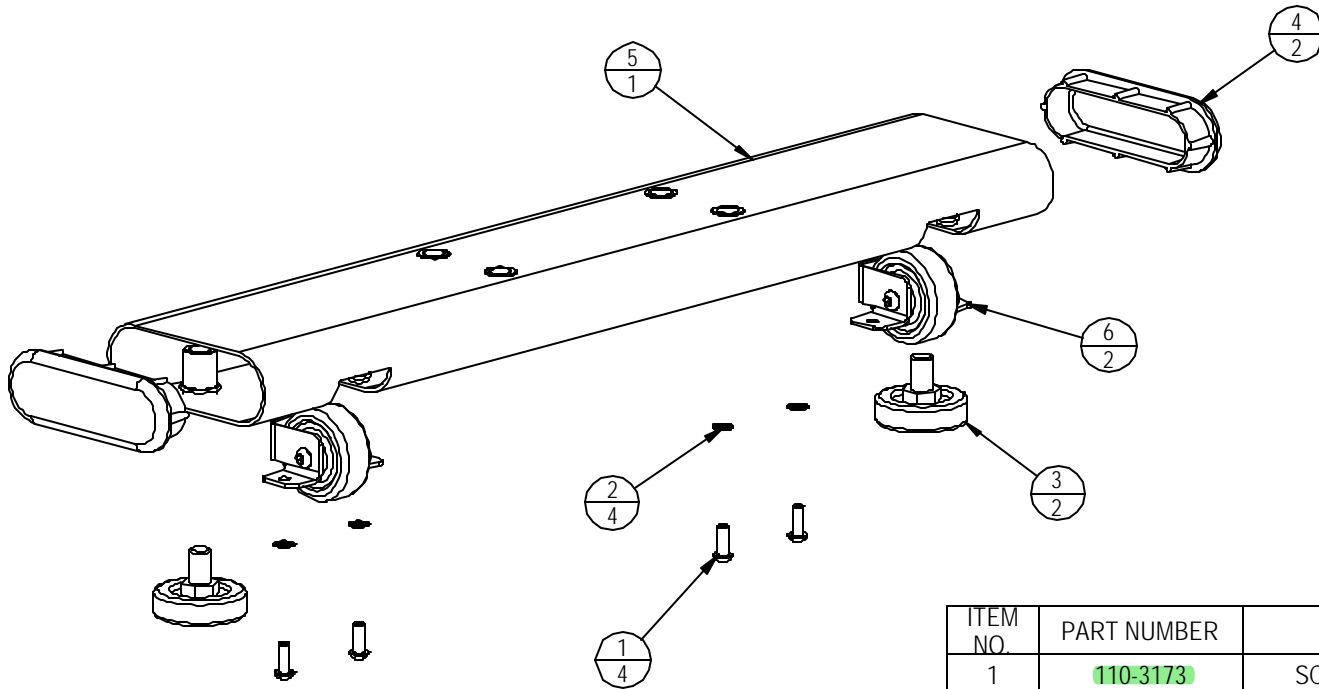


NOTES:

REVISIONS				
REV.	DATE	DESCRIPTION	ECO	BY
A	3/7/2007	PRODUCTION RELEASE	11556	FJM



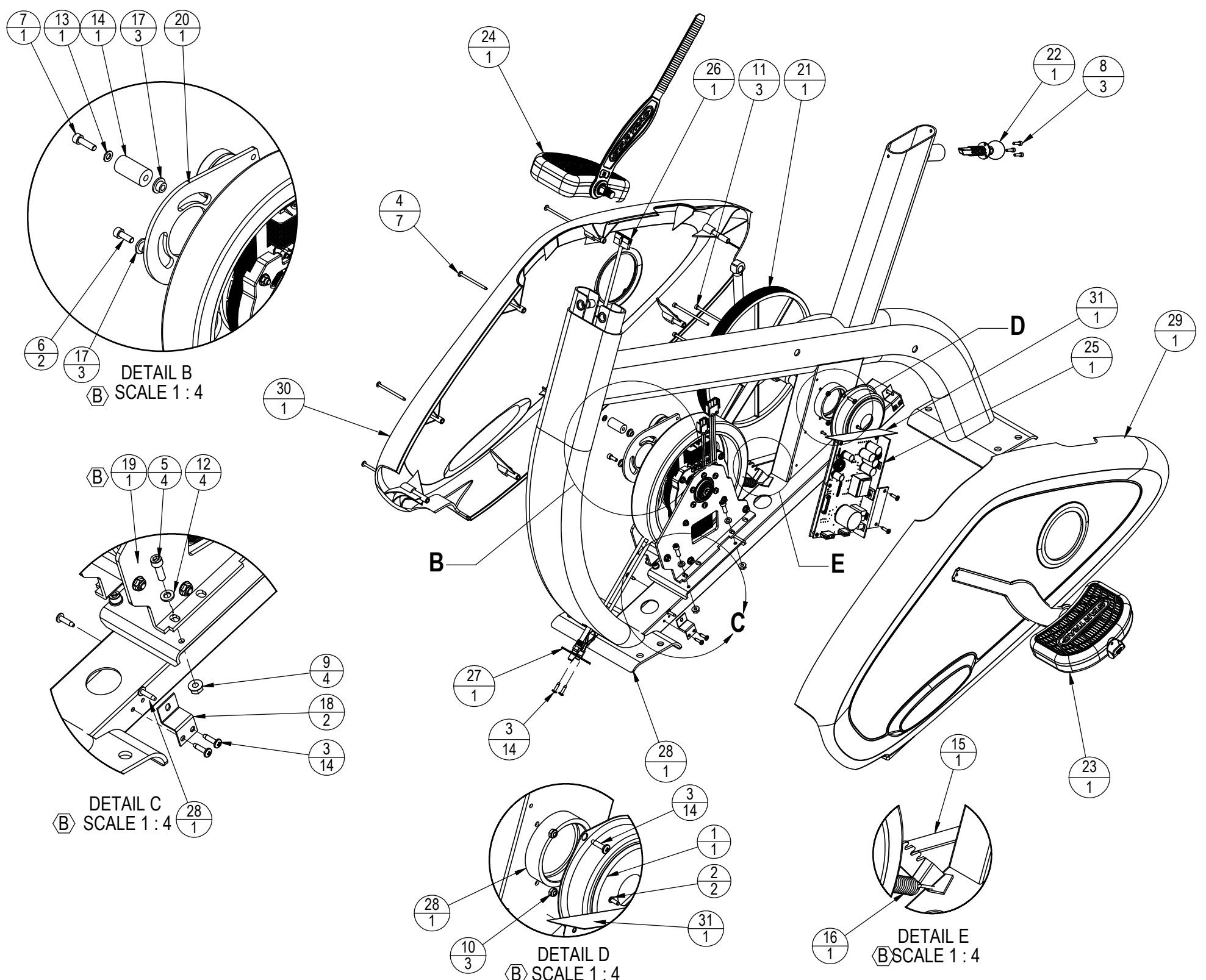
ITEM NO.	PART NUMBER	DESCRIPTION	QTY.
1	110-3173	SCREW, M6x16, BHC, HE, ISO7380	4
2	120-3257	WASHER, M6, TEETH, 0.6 THICK	4
3	140-3247	LEVELER, FEET ADJUSTMENT	2
4	740-2024	CAP, OVAL, FEET, SP BK	2
5	740-2026	FEET, FRONT, SPORT BIKE	1
6	740-2027	ASSY, WHEEL, SPORT BIKE	2

**DOCUMENT STATUS:
RELEASE**

MATERIAL SEE BOM		TOLERANCES UNLESS OTHERWISE SPECIFIED X.XXX = ± .010" (0.25MM) ANGLES = ± 2* X.XX = ± .030" (0.76MM) FRACTIONS = ± 1/32 X.X = ± .050" (1.27MM) X. = ± .125" (3.20MM)		UNISEN, INC. DBA STAR TRAC 14410 Myford Road Irvine CA 92606	
FINISH N/A		INITIAL	DATE	STARTRAC PART NO	REV
VENDOR:		DRAWN	FJM	01-27-07	740-2022
P/N: 748-4-8930-101		CHECKED			A
		APPROVED			TITLE
					ASSY, FRONT FEET, SPORT BIKE
					SCALE: 1:4 SHEET 1 OF 1 SHEET SIZE: A

NOTICE OF PROPRIETARY INFORMATION
THIS DOCUMENT SHALL NOT BE REPRODUCED NOR SHALL THE INFORMATION CONTAINED HEREIN BE USED BY OR DISCLOSED TO OTHER EXCEPT AS EXPRESSLY AUTHORIZED BY UNISEN

REVISIONS				
REV.	DATE	DESCRIPTION	ECO	BY
A	1/29/2007	INITIAL RELEASE OF PRODUCTION	11557	SJ
B	06-04-10	REPLACE 718-1087 (1) FOR 260-0948 (1); ADD SECTION VIEWS B, C, D, AND E	13315	SCN



ITEM NO.	PART NUMBER	DESCRIPTION	QTY.
1	020-6502	CUP, SHROUD COVER	1
2	110-3163	SCREW, M3x0.5x8L,PHT,PH,CS,ZI	2
3	110-3164	SCREW, M4x0.7x16L,PHT,PH,CS,ZI	14
4	110-3167	SCREW, M4x0.7x64L,PHT,PH,CS,ZI	7
5	110-3171	SCREW, ISO4762, M6x20	4
6	110-3177	SCREW, ISO4762, M5x16	2
7	110-3230	SCREW, M5x18, SHC, HE, ISO4762	1
8	110-3232	SCREW, M4x16, SHC, HE, ISO4762	3
9	110-3236	NUT, M6xP1.0, UNLOCK	4
10	110-3246	NUT, NYLON-INSERT,M4 X .7	3
11	110-3247	SCREW, SHCS, M4 X .7 X 80	3
12	120-3246	WASHER, ISO 7089 - M6	4
13	120-3252	WASHER, M5, ISO 7089	1
14	120-3254	SPACER, SHROUD, RB, PRO BIKE	1
15	130-1693	BELT, POLY V, 460J8	1
16	140-3243	SPRING, EXT	1
17	140-3248	SPACER, BRACKET, IDLER	3
18	140-3250	BRACKET, ANGLE, 4M	2
19	260-0948	W/PULLEY, GEN/BRK, HYBRID, RB/UB	1
20	718-1095	ASSY, IDLER ADJ, UB/RB PRO	1
21	718-1103	ASSY, CRANK W/PULLEY	1
22	718-5051	ASSY, SEAT STOP PIN, UB PRO	1
23	718-5085-01	ASSY., PEDAL W/STRAP, L, UB6300/RB6400 PRO	1
24	718-5085-02	ASSY., PEDAL, W/STRAP, R, UB6300/RB6400 PRO	1
25	740-0002	ASSY, LCB W/HEATSINK, S-BIKE	1
26	740-2001	ASSY, CABLE, MAIN I/O, UPPER, SB	1
27	740-2032	ASSY, MAIN HARNESS, SPORT Bx	1
28	740-2038	FRAME, WELDMENT, SPORT, UB	1
29	740-2039	SHROUD, KIT, LEFT, S UB	1
30	740-2040	SHROUD, KIT, RIGHT, S UB	1
31	740-2041	BRACKET, LCB ASSY, SPORT, UB	1

**DOCUMENT STATUS:
RELEASE**

NOTICE OF PROPRIETARY INFORMATION
THIS DOCUMENT SHALL NOT BE REPRODUCED NOR SHALL THE INFORMATION CONTAINED HEREIN BE USED BY OR DISCLOSED TO OTHER EXCEPT AS EXPRESSLY AUTHORIZED BY UNISEN INC, D.B.A. STAR TRAC.

CLASS OF WORK	UNLESS OTHERWISE SPECIFIED DIMS ARE IN mm. TOLERANCES FOR MEASURE OF LENGTH ARE:							ANGLES = ±2°
	0.5 to 3	>3 to 6	>6 to 30	>30 to 120	>120 to 400	>400 to 1000	>1000 to 2000	
FINE	±0.05	±0.05	±0.1	±0.15	±0.2	±0.3	±0.5	----
MEDIUM X	±0.1	±0.1	±0.2	±0.3	±0.5	±0.8	±1.2	±2
COARSE	±0.2	±0.3	±0.5	±0.8	±1.2	±2	±3	±4
VERY COARSE	----	±0.5	±1	±1.5	±2.5	±4	±6	±8

MATERIAL
SEE BOM

FINISH
N/A

VENDOR:

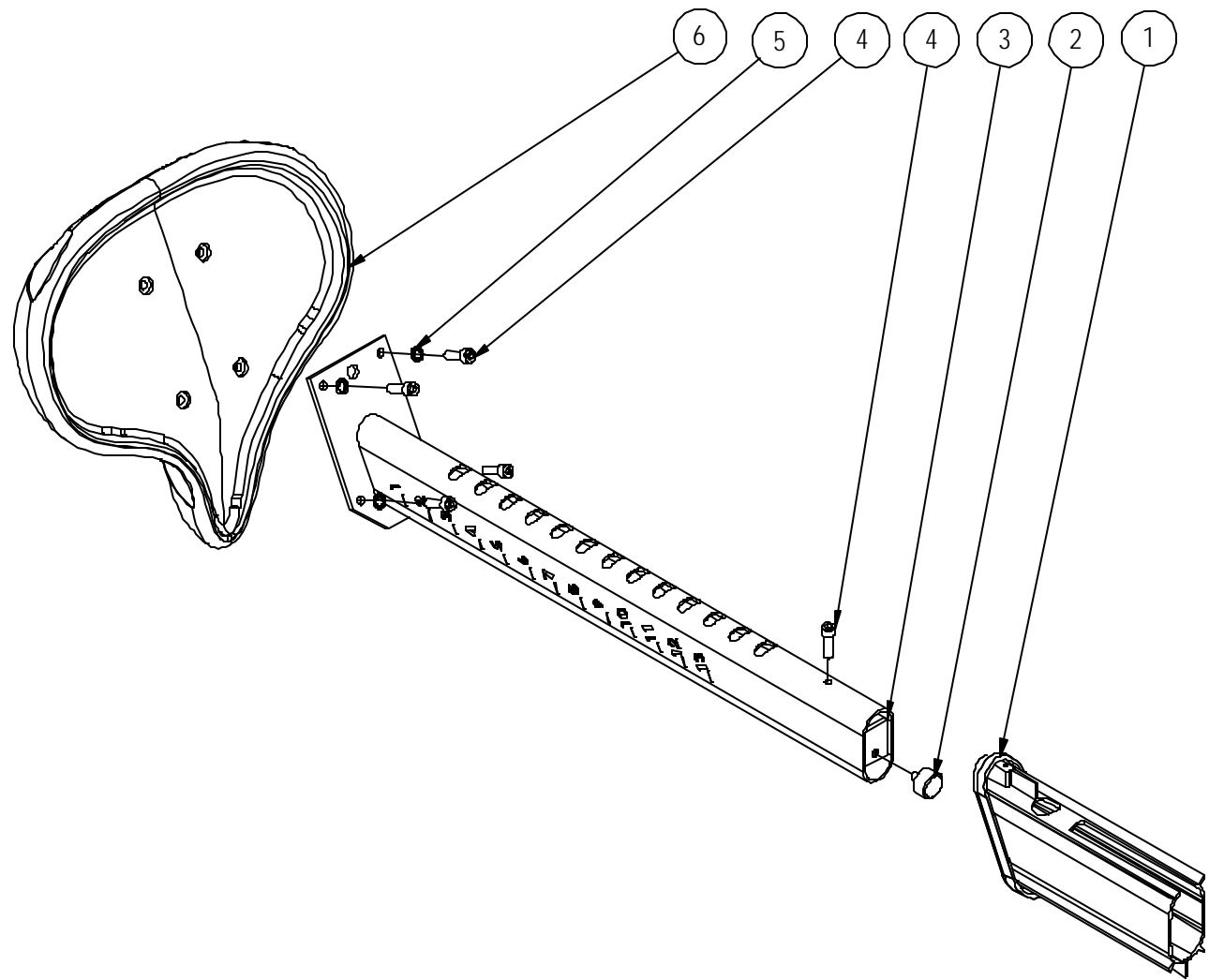
P/N: **740-2037**

THIRD ANGLE PROJECTION		
DRAWN	INITIAL SJ	DATE 1/29/07
CHECKED		
APPROVED		
	U.O.M.	MM

UNISEN, INC. DBA
STAR TRAC
14410 Myford Road
Irvine CA 92606

STARTRAC PART NO	REV
740-2037	B
TITLE ASSY, MAIN FRAME, SPORT UB	
SCALE: 1:8	SHEET 1 OF 1 SHEET SIZE: B

REVISIONS				
REV.	DATE	DESCRIPTION	ECO	BY
X01	01.27.07	INITIAL RELEASE FOR PRODUCTION	N/C	SJ



ITEM NO.	PART NUMBER	DESCRIPTION	QTY.
1	740-2036	SLEEVE, SEAT POST, SPORT UB	1
2	140-3240	BUMPER, 3/4x7/16x8-32, RUBBER	1
3	740-2035	WELDMENT, SEAT POST, SPORT, UB	1
4	110-3171	SCREW, ISO4762, M6x20	5
5	120-3257	WASHER, M6, TEETH, 0.6 THICK	4
6	718-1099		1

NOTES:

**DOCUMENT STATUS:
RELEASE**

NOTICE OF PROPRIETARY INFORMATION
THIS DOCUMENT SHALL NOT BE REPRODUCED NOR
SHALL THE INFORMATION CONTAINED HEREIN BE
USED BY OR DISCLOSED TO OTHER EXCEPT AS
EXPRESSLY AUTHORIZED BY UNISEN

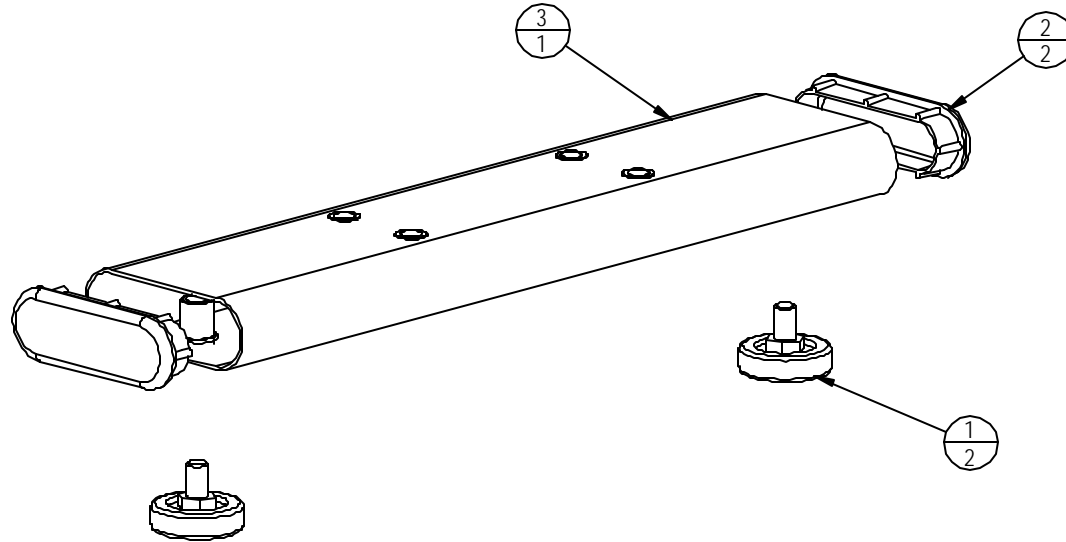
MATERIAL	TOLERANCES UNLESS OTHERWISE SPECIFIED X.XXX = ± .010" (0.25MM) ANGLES = ± 2° X.XX = ± .030" (0.76MM) FRACTIONS = ± 1/32 X.X = ± .050" (1.27MM) X = ± .125" (3.20)	
FINISH	DRAWN	INITIAL: SJ DATE: 01.27.07
	CHECKED	
	APPROVED	
VENDOR:	P/N: 740-2034	

UNISEN, INC. DBA STAR TRAC 14410 Myford Road Irvine CA 92606	
PART NO: 740-2034	REV: A
TITLE: ASSY, SEAT POST, SPORT, UB	
SCALE: 1:1	SHEET 1 OF 1 SHEET SIZE: B

10 9 8 7 6 5 4 3 2 1

NOTES:

REVISIONS				
REV.	DATE	DESCRIPTION	ECO	BY
A	03-07-07	PRODUCTION RELEASE	11556	FJM



ITEM NO.	PART NUMBER	DESCRIPTION	??2/QTY.
1	140-3247	LEVELER, FEET ADJUSTMENT	2
2	740-2024	CAP, OVAL, FEET, SP BK	2
3	740-2025	FEET, REAR, SPORT BIKE	1

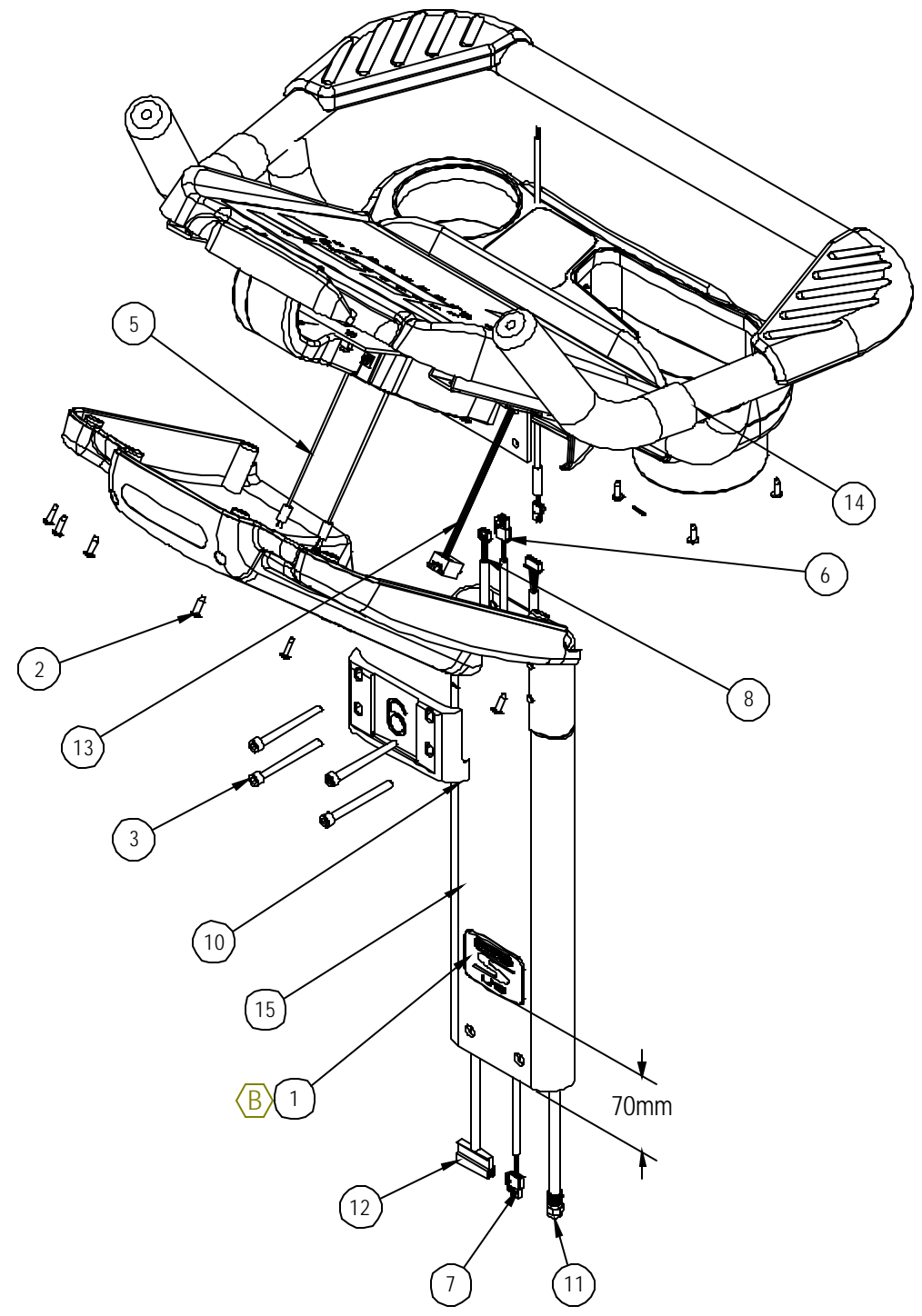
**DOCUMENT STATUS:
RELEASE**

MATERIAL SEE BOM	TOLERANCES UNLESS OTHERWISE SPECIFIED		UNISEN, INC. DBA 14410 Myford Road Irvine CA 92606
	X.XXX = ± .010" (0.25MM) ANGLES = ± 2° X.XX = ± .030" (0.76MM) FRACTIONS = ± 1/32 X.X = ± .050" (1.27MM) X. = ± .125" (3.20MM)		
FINISH N/A	INITIAL	DATE	STARTRAC PART NO
	DRAWN	FJM	01-27-07
VENDOR:	CHECKED		740-2023
	APPROVED		REV A
P/N: 748-4-8940-104		U.O.M.	TITLE
			ASSY, BACK FEET, SPORT BIKE
			SCALE: 1:4 SHEET 1 OF 1 SHEET SIZE: A

NOTICE OF PROPRIETARY INFORMATION
 THIS DOCUMENT SHALL NOT BE REPRODUCED NOR SHALL THE INFORMATION CONTAINED HEREIN BE USED BY OR DISCLOSED TO OTHER EXCEPT AS EXPRESSLY AUTHORIZED BY UNISEN

10 9 8 7 6 5 4 3 2 1

REVISIONS				
REV.	DATE	DESCRIPTION	ECO	BY
A	03-05-07	INITIAL RELEASE FOR PRODUCTION	11557	SJ
B	11-14-07	ADD ID BADGE	11754	SJ



ITEM NO.	PART NUMBER	DESCRIPTION	QTY.
B 1	050-2089	BADGE, PRODUCT, S-UB	1
2	110-3165	SCREW, M4x0.7x14L,PHT,PH,CS,ZI	22
3	110-3169	SCREW, M6x65, SHC, HE, ISO4762	4
4	120-0590	WASHER, #8 FLAT, SAE	2
5	740-0009	ASSY, CABLE, DISPLAY GND, SPORT	2
6	740-0016	ASSY, CABLE, TV CTRL POWER, SPORT	1
7	740-0017	ASSY, CABLE, TV POWER EXT, SPORT	1
8	740-0018	ASSY, CABLE, HEADPHONE EXT, SPORT	1
9	740-0019	ASSY, CABLE, TV CTRL I/O, SPORT	1
10	740-0022	SPACER, NECK JOINT, SP BK	1
11	740-2004	ASSY, CABLE, COAXIAL-2, SPORT BIKES	1
12	740-2005	ASSY, CABLE, MAIN I/O, UPPER, SB	1
13	740-2013	ASSY, DISPLAY ELECT, SP BIKE	1
14	740-2045	ASSY, HANDRAIL, LE, SPORT UB	1
15	740-2058	FRONT NECK, S BIKE, UB	1

NOTES:

**DOCUMENT STATUS:
RELEASE**

NOTICE OF PROPRIETARY INFORMATION
THIS DOCUMENT SHALL NOT BE REPRODUCED NOR
SHALL THE INFORMATION CONTAINED HEREIN BE
USED BY OR DISCLOSED TO OTHER EXCEPT AS
EXPRESSLY AUTHORIZED BY UNISEN

MATERIAL
SEE BOM

FINISH
SEE BOM

VENDOR:

P/N: **740-2046**

TOLERANCES UNLESS OTHERWISE SPECIFIED
X.XXX = ± .010" (0.25MM) ANGLES = ± 2°
X.XX = ± .030" (0.76MM) FRACTIONS = ± 1/32
X.X = ± .050" (1.27MM)
X = ± .125" (3.20)

UNISEN, INC. DBA
14410 Myford Road
Irvine CA 92606



	INITIAL	DATE
DRAWN	SJ	01.27.07
CHECKED		
APPROVED		
	U.O.M.	

PART NO	740-2046	REV	B
TITLE	ASSY, CONSOLE/HANDLEBAR, S-UB		
SCALE: 1:1	SHEET 1 OF 1	SHEET SIZE: B	